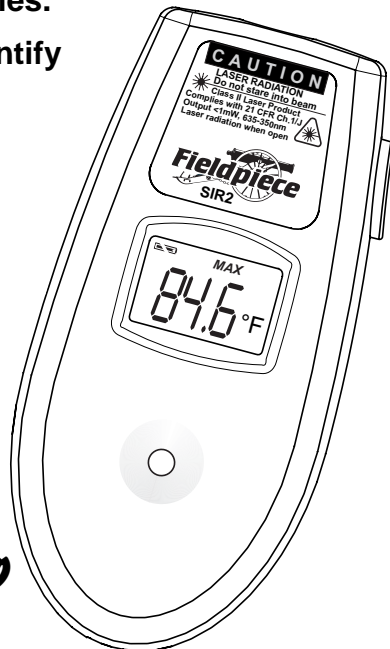


New Pocket Thermometers From Fieldpiece

IR POCKET THERMOMETER WITH LASER SIGHT

Range
-27°F to 482°F

- o Faster acting than thermistor based pocket thermometers.
- o Use immediately after pulling out of your pocket since there's no need to wait for it to stabilize.
- o Conveniently fits in a shirt pocket.
- o Not affected by "micro environments" like super sensitive thermocouples.
- o Laser to identify target.



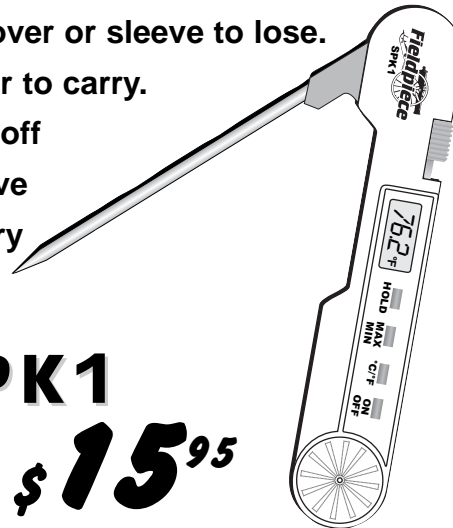
SIR2

\$49⁰⁰

Pocketknife Style Thermometer

Range
-58°F to 392°F

- o Grooves hold rod at any angle.
- o Easy to hang in flex duct.
- o Easy to hang from vent or thermostat.
- o Rod easily folds away.
- o No cover or sleeve to lose.
- o Easier to carry.
- o Auto-off to save battery life.



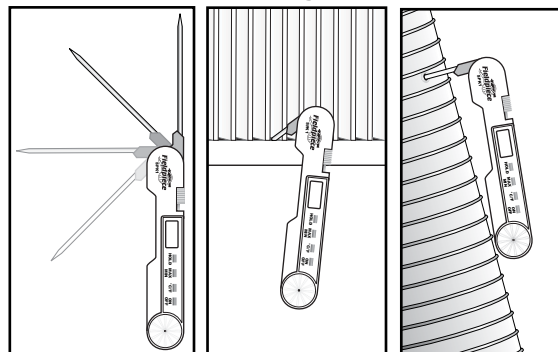
SPK1

\$15⁹⁵

Take It Out

Hang It

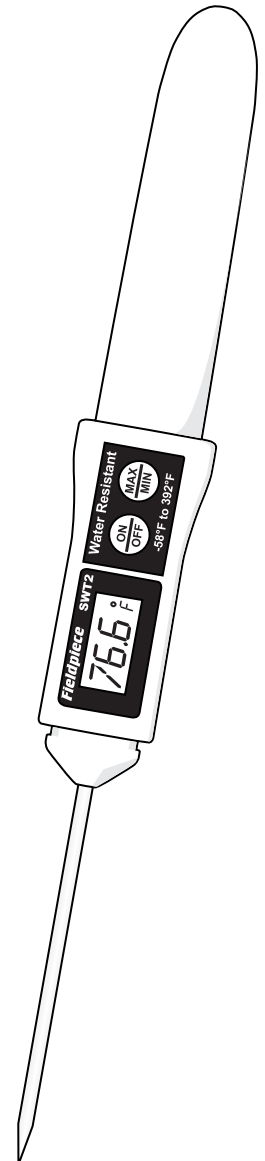
Poke It



Water Resistant Thermometer

Range
-58°F to 392°F

- o Sealed for the field.
- o Probe sharp enough to puncture through duct walls.
- o Conveniently clips to a shirt pocket.
- o °C/°F by a push of a button.
- o Protective sheathe also acts as a handle when placed on the thermometer as shown.



SWT2

\$18⁹⁵